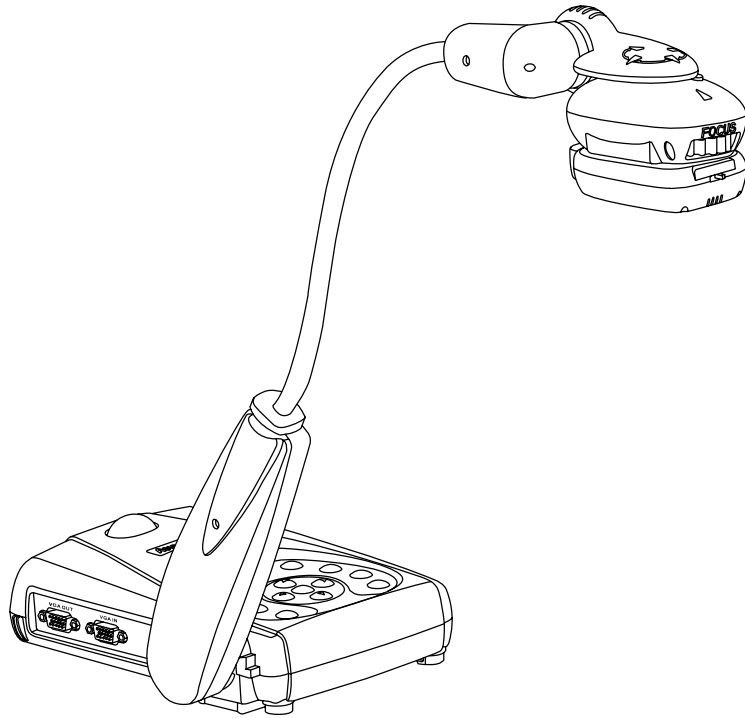


# **AVerMedia® AVerVision130**

---

## **User Manual**



**AVerMedia®**  
Document Camera



## **FCC NOTICE**

This device has been tested and found to comply with the limits for a digital device, pursuant to Part 15 of the FCC Rules. These limits are designed to provide reasonable protection against harmful interference in a commercial, industrial or business environment. This equipment can generate, use and radiate radio frequency energy and, if not installed and used in accordance with the instruction, may cause harmful interference to radio communications. However, there is no guarantee that interference will not occur in a particular installation. If this equipment does cause harmful interference to radio or television reception, which can be determined by turning the equipment off and on, the user is encouraged to try to correct the interference by one or more of the following measures :

- Reorient or relocate the receiving antenna.
- Increase the separation between the equipment and receiver.
- Connect the equipment into an outlet on a circuit different from that to which the receiver is connected.
- Consult the dealer or an experienced radio/TV technician for help.

This device complies with Part 15 of the FCC Rules. Operation is subject to the following two conditions: (1) this device may not cause harmful interference, and (2) this device must accept any interference received, including interference that may cause undesired operation.

## **CAUTION ON MODIFICATIONS**

To comply with the limits for the digital device, pursuant to Part 15 of the FCC Rules, this device must be installed in computer equipment certified to comply with the limits. All cables used to connect the computer and peripherals must be shielded and grounded. Operation with non-certified computers or non-shielded cables may result in interference to radio or television reception.

Any changes or modifications not expressly approved by the grantee of this device could void the user's authority to operate the equipment.

## **CE NOTICE**

This is a product, complied with the CE limits.

## **DISCLAIMER**

No warranty or representation, either expressed or implied, is made with respect to the contents of this documentation, its quality, performance, merchantability, or fitness for a particular purpose. Information presented in this documentation has been carefully checked for reliability; however, no responsibility is assumed for inaccuracies. The information contained in this documentation is subject to change without notice.

In no event will AVerMedia be liable for direct, indirect, special, incidental, or consequential damages arising out of the use or inability to use this product or documentation, even if advised of the possibility of such damages.

## **TRADEMARKS**

AVerMedia and AVerVision130 are registered trademarks of AVerMedia TECHNOLOGIES, Inc. IBM PC is a registered trademark of International Business Machines Corporation. Macintosh is a registered trademark of Apple Computer, Inc. Microsoft is a registered trademark and Windows is a trademark of Microsoft Corporation. All other products or corporate names mentioned in this documentation are for identification and explanation purposes only, and may be trademarks or registered trademarks of their respective owners.

## **COPYRIGHT**

© 2005 by AVerMedia TECHNOLOGIES, Inc. All rights reserved. No part of this publication may be reproduced, transmitted, transcribed, stored in a retrieval system, or translated into any language in any form by any means without the written permission of AVerMedia TECHNOLOGIES, Inc.

# Table of Contents

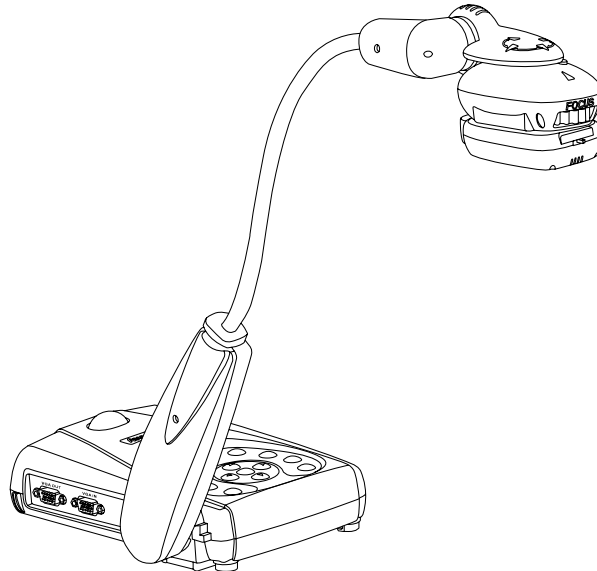
<b>Introduction</b> .....	<b>1</b>
<b>Package Contents</b> .....	<b>2</b>
Optional Accessories .....	3
<b>Technical Specifications</b> .....	<b>4</b>
<b>Installing and Setting Up the Hardware</b> .....	<b>5</b>
Connecting the Power Adapter.....	6
Connecting a VGA, Mac Display Monitor or LCD/DLP Projector .....	6
Connecting a TV .....	7
Connecting an IBM Compatible PC or Macintosh Computer .....	7
Connecting a Computer via USB Connection .....	8
Installing the Optional Light Box .....	8
Connecting a Microscope .....	9
<b>Adjusting the AVerVision130</b> .....	<b>10</b>
Camera Head .....	10
Flexible Gooseneck and Mechanical Arm .....	10
Light and Document Positioning Pointers (Optional).....	11
Anti-glare Sheet .....	11
<b>Touch Button Control Panel</b> .....	<b>12</b>
<b>LED Panel</b> .....	<b>13</b>
<b>Using the AVerVision Application</b> .....	<b>14</b>

Installing the Software .....	14
Application User interface.....	15
<b>OSD Navigation Tree .....</b>	<b>17</b>
<b>Menu Functions .....</b>	<b>18</b>
<b>Troubleshooting .....</b>	<b>20</b>
<b>Limited Warranty .....</b>	<b>22</b>

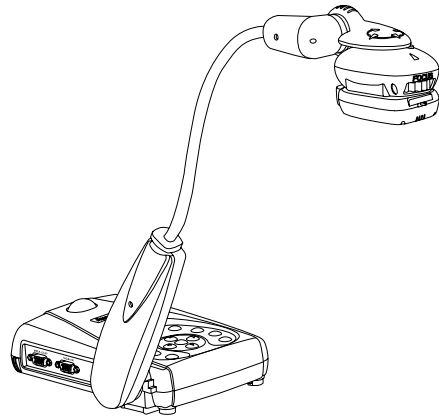
## **Introduction**

Thank you for purchasing the AVerMedia® AVerVision130. This document camera displays any documents, negatives, transparencies and 3D objects onto a TV, LCD or DLP projector making presentations a snap.

The AVerVision 130's advanced features, including 4 times (400%) digital zoom, negative to positive, B&W to color image, dynamic image capture and image freezing function, making presentation easy. When connect the AVerVision 130 to a PC via USB cable, you can capture and save still images and video clip to your PC. Come with a full featured control panel, AVerVision 130 is an ideal presentation tool for academic, business, medical and the scientific community.



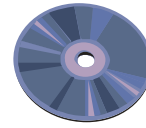
## Package Contents



AVerMedia® AVerVision130  
with LED Light Module



User Manual



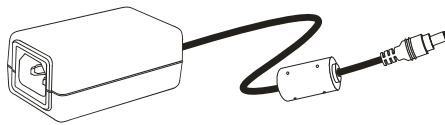
Driver CD



RCA Cable



S-Video Cable



Power Adapter



Computer Extension cable  
(VGA Cable)

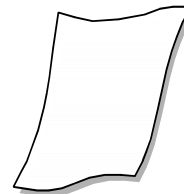


USB Cable



Power Cord

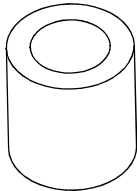
\* The power cord will vary depending on the standard power outlet of the country where it is sold.



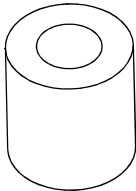
Anti-glare Sheet



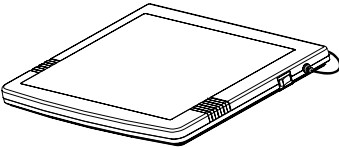
**Optional Accessories**



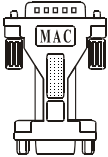
34mm Coupler



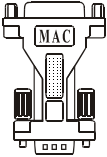
28mm Coupler



Light Box



Monitor Adapter  
(for MAC)



Computer Adapter  
(for MAC)

## Technical Specifications

### Image

Sensor	1/2" CMOS
Effective Pixels	790K 1024 (H) x 768 (V)
Frame Rate	12 fps
White Balance	Auto / Manual
Exposure	Auto / Manual / Flicker
Image mode	Text / Graphics
Effect	Color / B/W / Negative;
Analog RGB output	XGA 75 Hz; SVGA 60 Hz; VGA 60 Hz
H Sync. Signal	60 K / 37.879 K / 31.469 KHz, TTL level
V Sync. Signal	75 Hz / 60Hz / 60 Hz, TTL level
Image Signal Level	0.7 Vpp
S-Video, Composite Video Output	NTSC / PAL
Image Capture	4 Frames Dynamic

### Optics

Lens	F3.0; fl=9.6mm
Focusing	Manual
Shooting Area	360mm x 270mm (max.);
Zooming	Digital: 4X
Power Source	100-220V ~ 1.8A, 50-60 Hz
Consumption	6 Watts (lamp off); 9 Watts (Lamp on)

### Lighting

Lamp type	LED lamp
-----------	----------

### Input/Output

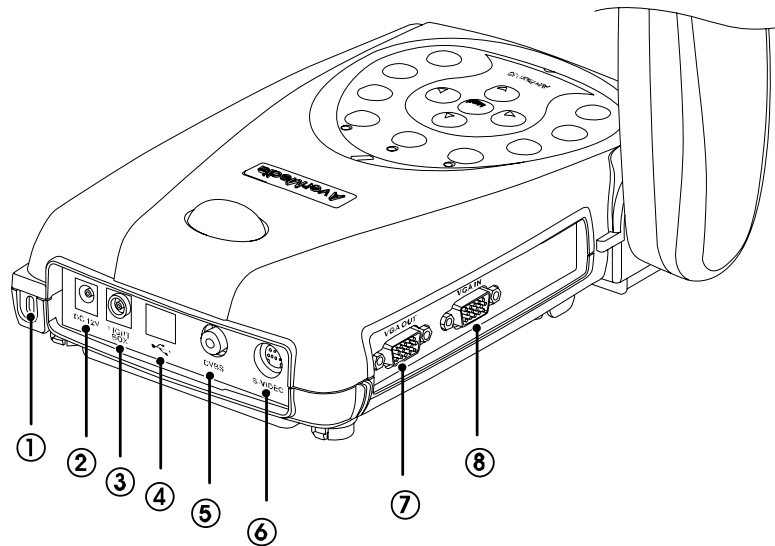
VGA Input	15-Pins D-sub (VGA)
VGA Output	15-Pins D-sub (VGA)
S-Video	Mini-DIN Jack
Composite Video	RCA Jack
USB	USB1.1
DC 6V Output (Light Box)	Power Jack

### Dimension

Operating	220mm x 140mm x 570mm
Folded	380mm x 170mm x 55mm
Weight	3.8 lb

## Installing and Setting Up the Hardware

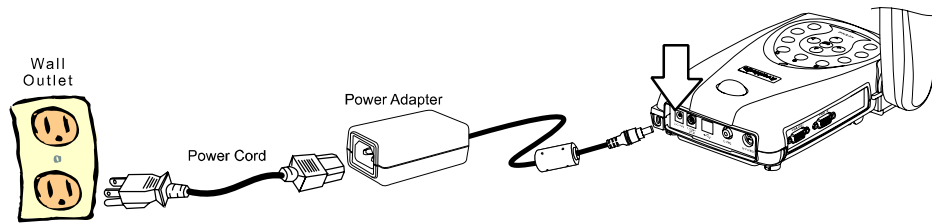
The ports on the back and side panel of the AVerVision130 enable you to connect the unit to a computer, graphics display monitor or LCD / DLP projector, TV or other device. Illustrated below are the ports that are located at the back and side panel of the AVerVision130 with their corresponding labels.



Port	Description
1.Security Slot	Use this port to connect a Kensington compatible security lock.
2.DC 12V (input)	Plug the power adapter into this port.
3.DC 6V (output)	Plug the optional light box into this port.
4.USB1.1 Port	This port enables you to use AVerVision130 as PC Camera, capture the images or video to your PC.
5.VIDEO Port	The VIDEO Port enables you to output your camera or playback a picture from the built-in dynamic memory on your TV.
6.S-VIDEO Port	The S-VIDEO Port enables you to output your camera or playback a picture from the built-in dynamic memory on your TV.
7.VGA OUT Port	Use this port to connect to a VGA/ Mac monitor, LCD/DLP projector for your camera, PC presentation, or playback a picture from built-in dynamic memory.
8.PC IN Port	Use this port to connect the AVerVision130 to the VGA output port of your computer. This enables you to input your computer video signal and pass it through to the VGA out port.

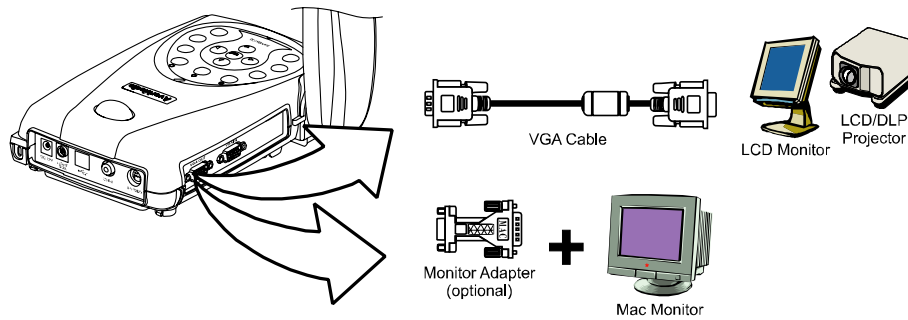
## Connecting the Power Adapter

You can connect the power adapter to a standard 100V~240V AC power source.



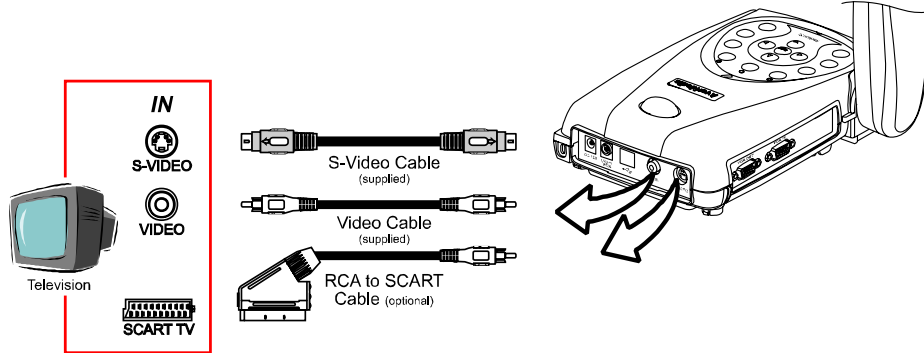
## Connecting a VGA, Mac Display Monitor or LCD/DLP Projector

AVerVision130 enables you to display a presentation on a VGA /MAC display monitor, or LCD/DLP projector with an outstanding video quality.



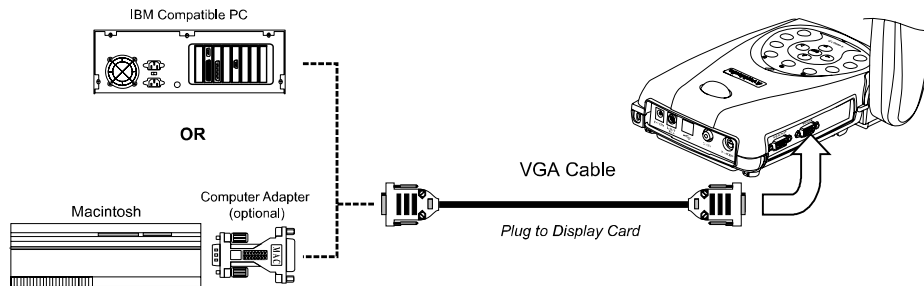
## Connecting a TV

To display a presentation on TV, connect AVerVision130 and TV by using the Video Cable or S-Video cable, switch the output mode to TV system by pressing **VGATV** button on the control panel. If you are using a SCART RGB monitor, connect it by using the RCA to SCART Cable. (The SCART RGB Cable is provided as an optional accessory cable with AVerVision130.)



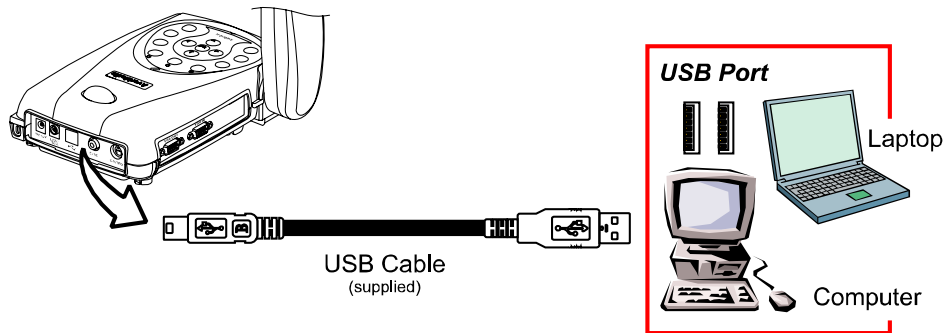
## Connecting an IBM Compatible PC or Macintosh Computer

You can connect the AVerVision130 to an IBM compatible PC, Macintosh, or notebook (laptop) computer. After physically connecting the unit to your PC, you can display an image from your computer by pressing the **PC** button on the unit's control panel.



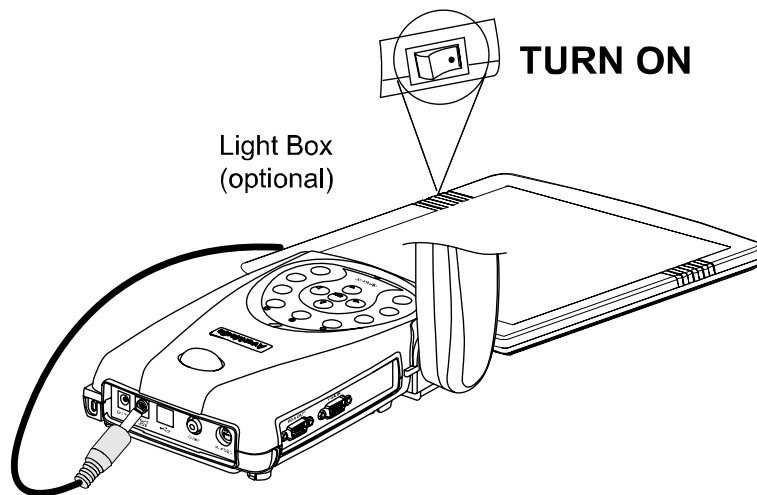
## **Connecting a Computer via USB connection**

To access the software application as a PC Camera via the USB cable, just connect the USB cable to a computer. (Refer to the section, *using the AVerVision Application*, for more details.)



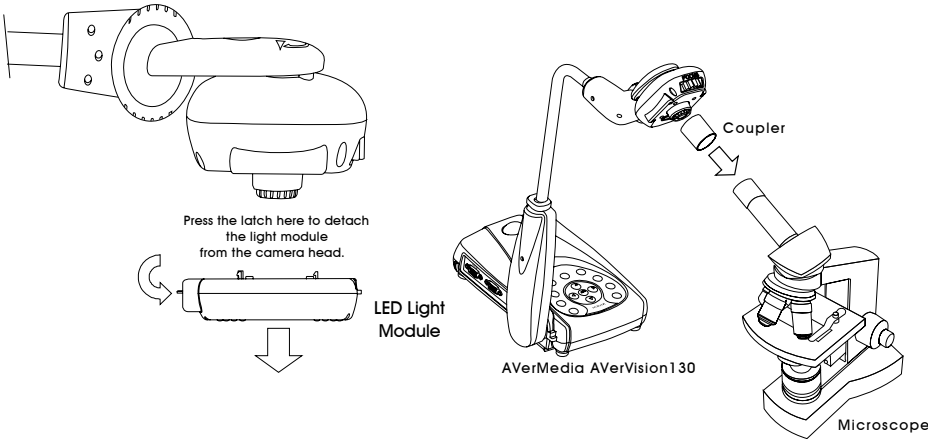
## **Installing the Optional Light Box**

Connecting an optional light box enables you to view x-rays, transparencies and negative slides.



**Connecting to a Microscope**

Connecting the AVerVision130 to a microscope enables you to examine microscopic objects on a big screen without straining your eyes.

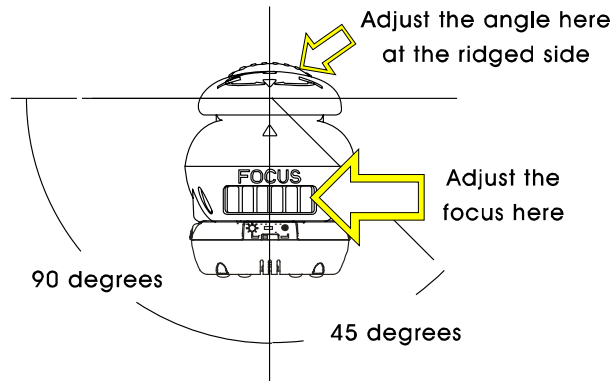


## **Adjusting the AVerVision130**

This section provides useful tips on how to adjust the *AVerVision130* to meet your needs.

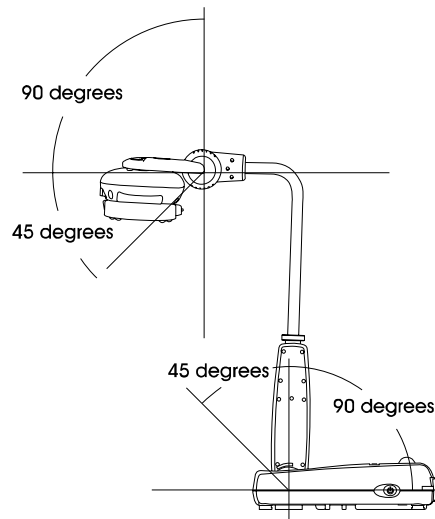
### **Camera Head**

The camera head can be rotated 135 degrees from left to right. You can also manually adjust the focus from here to improve the quality of the pictures.



### **Flexible Gooseneck and Mechanical Arm**

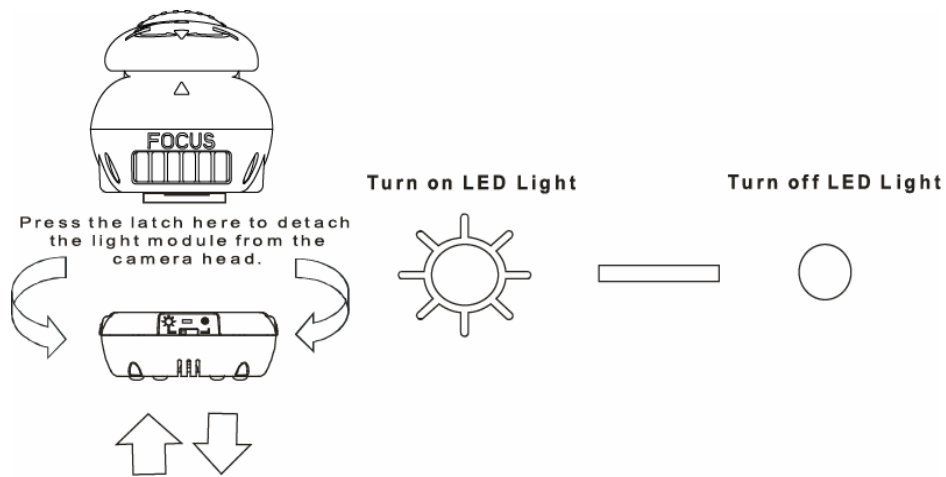
The flexible gooseneck and Mechanical arm design allows you to position the camera head from any angle.





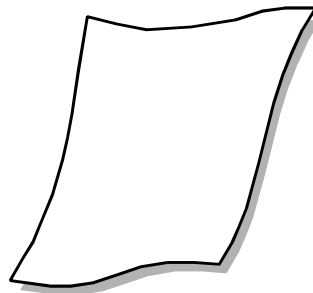
## **LED Light Module**

Then LED light module provides white light and it is best use when presenting in low lighting condition.



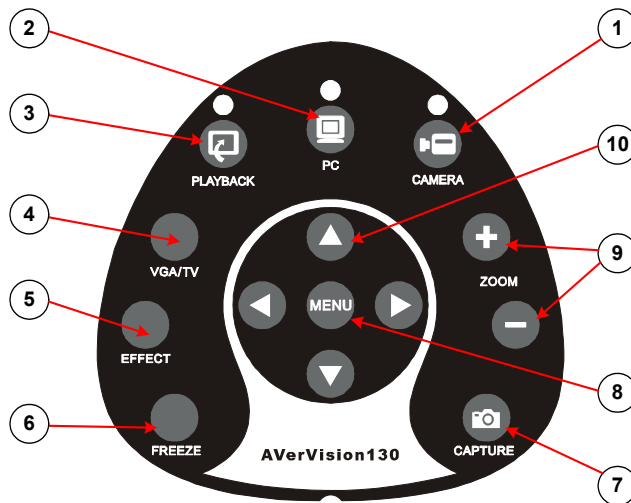
## **Anti-glare Sheet**

The anti-glare sheet is a special coated film that helps eliminate any glare you may encounter when you are displaying very shiny object or glossy surfaces such as magazines, pictures, etc. Simply place the anti-glare sheet on top of the shiny document to reduce reflected light.



## Touch Button Control Panel

The touch button control panel located on the top side of the AVerVision130 provides quick access to commonly used functions.



<b>Function</b>	<b>Description</b>
1 <i>CAMERA MODE</i>	Switches to Camera mode and displays the image from the AVerVision130's built-in digital video camera.
2 <i>PC MODE</i>	Switches to PC mode and displays the video signal coming from the PC IN port.
3 <i>PLAYBACK MODE</i>	Switches to PLAYBACK mode and displays 4-thumbnail images captured in AVerVision130's built-in memory.
4 <i>VGA/TV</i>	Switches between VGA (VGA Out) or TV (Composite Video/S-Video) output.
5 <i>EFFECT</i>	In Camera mode, press to convert and view the video in Black and White, Negative or Color.
6 <i>FREEZE</i>	Press this button to hold the image picked up by the camera and to release the image that has been retained.
7 <i>CAPTURE</i>	In Camera mode, press to capture an image. The captured image is automatically stored in the built-in dynamic memory at 1024 x 768 resolution. AVerVision130 could save up to 4 frames. In Playback Mode, press this button to delete the saved frame.

<p>8 &amp; 10 MENU/ ◀▶▶▼</p>	<p>-Press <b>MENU</b> to call the OSD menu and then use the ▲, ▶, ▼ and ◀ around the menu button to make a selection and adjustment.</p> <p>-In playback mode, use the ▲, ▶, ▼ and ◀ to make a selection and then press <b>PLAYBACK</b> to display the image in full-size. You may also use <b>PLAYBACK</b> button to revert back to display 4-thumbnail pictures.</p> <p>-In zoom-in mode, use the ▲, ▶, ▼ and ◀ to pan up , down , left and right</p>
<p>9 ZOOM +/-</p>	<p>Press “+” or “-” to digitally zoom in and zoom out the picture up to 400%.</p>

## **LED Panel**

The LED on the front panel of AVerVision130 indicates the status of the unit.

<b>Color</b>	<b>Description</b>
Green	The unit is operated with VGA output.
Orange	The unit is operated with TV output
Red	The unit is in standby mode.

## **Using the AVerVision Application**

Use the AVerVision PC Camera applications provided to control the AVerVision130 to save any captured images or video clips to your PC, or send them via emails.

Note: When a USB cable is connected between the document camera and the PC, the document camera features are controlled by the application software directly instead on the control panel.

## **Installing the Software**

Minimum System Requirements

- Pentium®-class processor
- Windows2000 Professional with Service Pack 2 or above, Windows XP Professional or Home, or Windows XP Tablet PC
- 32 MB of RAM (64 MB recommended)
- 60 MB of available hard-disk space

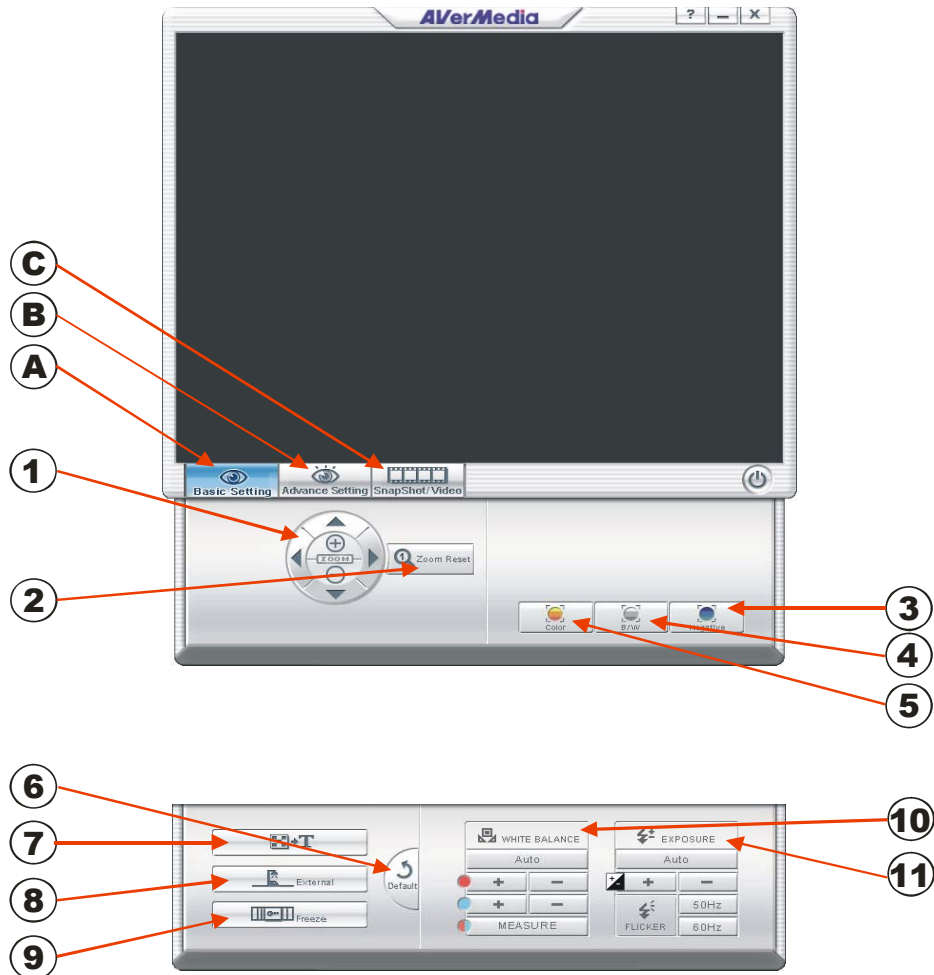
To install PC Camera Applications:

1. Insert your Software CD into your CD-ROM drive, and click on "PC Camera Applications" and follow the instructions.



2. Click "Finish" to complete installation.
3. After the installation, connect the USB cable between the AVervVSION130 and your PC. Open the applications by clicking "VisionAP" icon on your desktop.

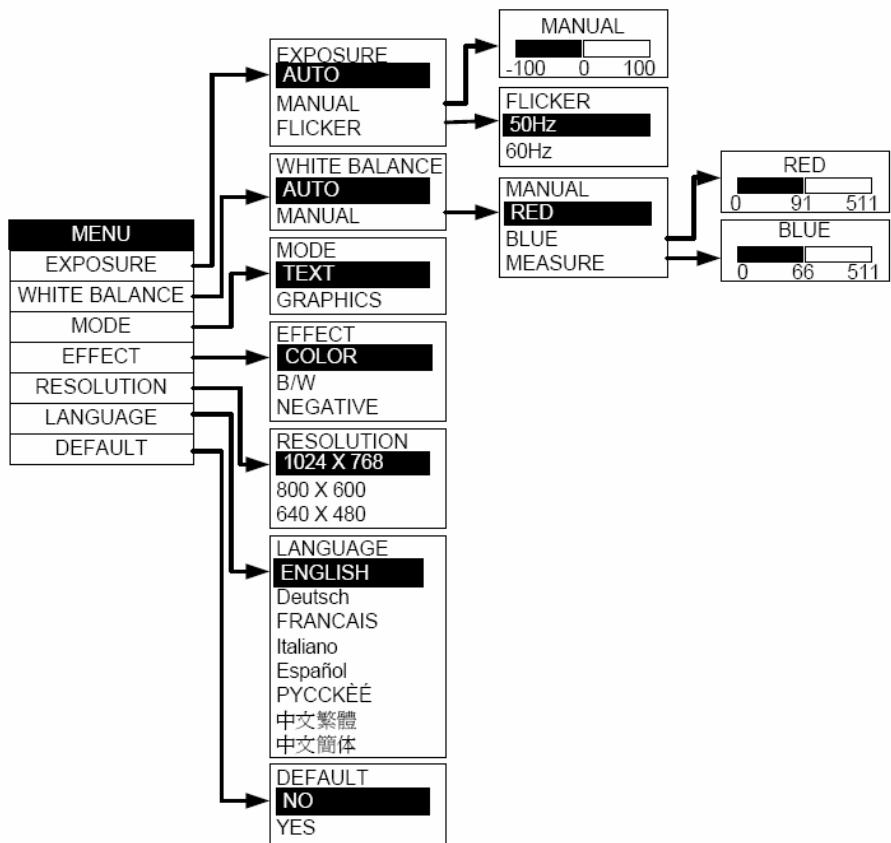
### **Application User Interface**






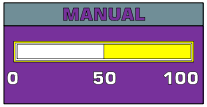


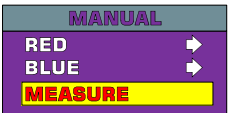
<b>A. Basic Setting</b>	
<b>Function</b>	<b>Description</b>
1	Digital Zoom and Pan Control
2	Return to normal view (1X )
3	Convert the image to Negative
4	Convert the image to Black and White
5	Back to the original image
<b>B. Advance Setting</b>	
<b>Function</b>	<b>Description</b>
6	Restore to original factory setting
7	Select between text and graphic image enhancement mode
8	Display the image from AVerVision's camera or from the PC IN port
9	Freeze image
10	Adjust White Balance
11	Adjust Exposure
<b>C. SnapShot/Video</b>	
<b>Function</b>	<b>Description</b>
12	Control the video display by controlling bar
13	Play and control the video display
14	Record the video and save it into PC
15	Capture a single picture and save it into PC
16	Retrieve saved picture or video clips
17	Setup for the picture snapshot or video recording.

# OSD Navigation Tree








## Menu Functions

The MENU functions of AVerVision130 enhance fine-tuning your screen display, select OSD language and more. Press the **MENU** button to call up and exit from the main menu or sub-menu display. Then use ▲ or ▼ buttons to select the items in the menu list. Use ► button to enter sub-menu. To adjust the setting, press ◀ or ▶ buttons.

Main Menu	Sub-Menu OSD	Description
EXPOSURE	 	<p>Use ▲ or ▼ buttons to select between Auto and Manual.</p> <p>AVerVision130 allows you to automatically or manually adjust the camera to determine how much light is required.</p> <p>If you choose to manually adjust the exposure, press ► or ◀ buttons to adjust the exposure level.</p>
		<p>Use ▲ or ▼ buttons to select between 50Hz or 60Hz. Some display devices cannot handle high refresh rates. The image will flicker a couple of times as the output is switched to another refresh rate.</p>
WHITE BALANCE		<p>Use ▲ or ▼ buttons to select between Auto and Manual.</p> <p>AVerVision130 enables you to automatically or manually adjust the camera to suit the lighting condition or color temperature. If you select to manually adjust the white balance, you can adjust the Red, Blue or use the system to measure the color temperature.</p>
		<p>To obtain a more accurate color balance, place a sheet of white paper under the camera. Select <b>MEASURE</b> then press ► button to calibrate the color temperature. Wait until a "MEASURE OK" appears at the lower right corner of the presentation screen.</p>



<b>Main Menu</b>	<b>Sub-Menu OSD</b>	<b>Description</b>
<b>MODE</b>		<p>Use ▲ or ▼ buttons to select between text and graphics image enhancement mode.</p> <p>In text mode, the AVerVision130 corrects the intensity of the adjacent pixel making it more uniform producing sharper and clearer images. While in graphics mode, the AVerVision130 adjusts the gradient of the adjacent pixel that appears to have a smooth image.</p>
<b>EFFECT</b>		<p>Use ▲ or ▼ buttons to display the image captured by the camera into negative, positive (true color), or monochrome (black and white) the image.</p>
<b>RESOLUTION</b>		<p>Use ▲ or ▼ buttons to choose from 1024x768, 800x600 or 640x480 display resolution then press ► to make the selection.</p> <p>This selection will not be found in TV output (Composite/S-Video)</p>
<b>LANGUAGE</b>		<p>Use ▲ or ▼ buttons to select from nine different languages then press ► to make the selection.</p>
<b>DEFAULT</b>		<p>Use ▲ or ▼ buttons to select YES to restore to original factory default setting or NO to exit then press ► to make the selection.</p>

## **Troubleshooting**

This section provides many useful tips on how to solve common problems while using the AVerVision130.

### **There is no picture on the presentation screen.**

1. Check all the connectors again as shown in this manual.
2. Check the on/off switch of the display output device.
3. Verify the setting of the display output device.
4. If you are presenting from a notebook or computer through the display output device, please check and switch the document camera source to PC Mode.

### **I have set up the AVerVision130 and checked all the connections as specified in the manual, but I cannot get a picture on the preferred presentation screen.**

1. Once the power cords are connected, the LED light turns RED as standby mode. Simply switch the AVerVision130 "ON" by pressing the on/off switch until the LED light is blanking and turns GREEN.
2. The default camera display resolution setting is on 1024x768. If your output device does not support this resolution; no image can be projected. Simply press the MENU and RIGHT or LEFT button to the increase or decrease the resolution setting.
3. If your display output device is TV or any analog device, please click on the VGA/TV button to switch output mode.

### **The picture on the presentation screen is distorted or the image is blurry.**

1. Reset all changed settings, if any, to the original manufacturer default setting (Refer to the Menu Functions for more details and steps).

2. Use the Brightness and Contrast menu functions to reduce the distortion if applicable.
3. If you discover that the image is blurry or out of focus, adjust the focus ring on the camera head.

**There is no computer signal on presentation screen.**

1. Check all the cable connections among the display device, AVerVision130 and your PC.
2. Connect your PC to the AVerVision130 first before you power on your computer.

**I plug in the power of AVerVision130, but still couldn't see anything.**

It will take 20~30 seconds for warming up AVerVision130.

## **Limited Warranty**

For a period of time beginning on the date of purchase of the applicable product and extending as set forth in Section 6 of this Limited Warranty (the "Warranty Period"), AVerMedia Technologies, Inc. ("AVerMedia") warrants that the applicable product ("Product") substantially conforms to AVerMedia's documentation for the product and that its manufacture and components are free of defects in material and workmanship under normal use. "You" as used in this agreement means you individually or the business entity on whose behalf you use or install the product, as applicable. This limited warranty extends only to You as the original purchaser. Except for the foregoing, the Product is provided "AS IS." In no event does AVerMedia warrant that You will be able to operate the Product without problems or interruptions, or that the Product is suitable for your purposes. Your exclusive remedy and the entire liability of AVerMedia under this paragraph shall be, at AVerMedia's option, the repair or replacement of the Product with the same or a comparable product. This warranty does not apply to (a) any Product on which the serial number has been defaced, modified, or removed, or (b) cartons, cases, batteries, cabinets, tapes, or accessories used with this product. This warranty does not apply to any Product that has suffered damage, deterioration or malfunction due to (a) accident, abuse, misuse, neglect, fire, water, lightning, or other acts of nature, commercial or industrial use, unauthorized product modification or failure to follow instructions included with the Product, (b) misapplication of service by someone other than the manufacturer's representative, (c) any shipment damages (such claims must be made with the carrier), or (d) any other causes that do not relate to a Product defect. The Warranty Period of any repaired or replaced Product shall be the longer of (a) the original Warranty Period or (b) thirty (30) days from the date of delivery of the repaired or replaced product.

## **Limitations of Warranty**

AVerMedia makes no warranties to any third party. You are responsible for all claims, damages, settlements, expenses, and attorneys' fees with respect to claims made against You as a result of Your use or misuse of the Product. This warranty applies only if the Product is installed, operated, maintained, and used in accordance with AVerMedia specifications. Specifically, the warranties do not extend to any failure caused by (i) accident, unusual physical, electrical, or electromagnetic stress, neglect or misuse, (ii) fluctuations in electrical power beyond AVerMedia specifications, (iii) use of the Product with any accessories or options not furnished by AVerMedia or its authorized agents, or (iv) installation, alteration, or repair of the Product by anyone other than AVerMedia or its authorized agents.

## **Disclaimer of Warranty**

EXCEPT AS EXPRESSLY PROVIDED OTHERWISE HEREIN AND TO THE MAXIMUM EXTENT PERMITTED BY APPLICABLE LAW, AVERMEDIA DISCLAIMS ALL OTHER WARRANTIES WITH RESPECT TO THE PRODUCT, WHETHER EXPRESS, IMPLIED, STATUTORY OR OTHERWISE, INCLUDING WITHOUT LIMITATION, SATISFACTORY QUALITY, COURSE OF DEALING, TRADE

USAGE OR PRACTICE OR THE IMPLIED WARRANTIES OF MERCHANTABILITY, FITNESS FOR A PARTICULAR PURPOSE OR NONINFRINGEMENT OF THIRD PARTY RIGHTS.

## **Limitation of Liability**

IN NO EVENT SHALL AVERMEDIA BE LIABLE FOR INDIRECT, INCIDENTAL, SPECIAL, EXEMPLARY, PUNITIVE, OR CONSEQUENTIAL DAMAGES OF ANY NATURE INCLUDING, BUT NOT LIMITED TO, LOSS OF PROFITS, DATA, REVENUE, PRODUCTION, OR USE, BUSINESS INTERRUPTION, OR PROCUREMENT OF SUBSTITUTE GOODS OR SERVICES ARISING OUT OF OR IN CONNECTION WITH THIS LIMITED WARRANTY, OR THE USE OR PERFORMANCE OF ANY PRODUCT, WHETHER BASED ON CONTRACT OR TORT, INCLUDING NEGLIGENCE, OR ANY OTHER LEGAL THEORY, EVEN IF AVERMEDIA HAS ADVISED OF THE POSSIBILITY OF SUCH DAMAGES. AVERMEDIA'S TOTAL, AGGREGATE LIABILITY FOR DAMAGES OF ANY NATURE, REGARDLESS OF FORM OF ACTION, SHALL IN NO EVENT EXCEED THE AMOUNT PAID BY YOU TO AVERMEDIA FOR THE SPECIFIC PRODUCT UPON WHICH LIABILITY IS BASED.

## **Governing Law and Your Rights**

This warranty gives You specific legal rights; You may also have other rights granted under state law. These rights vary from state to state.

### **Warranty Period of AVerMedia Product Purchased:**

**AVerVision DL, 100, 100 Pro:** 1 Year Limited Parts and Labor

**AVerVision110:** 2 Year Limited Parts and Labor

**AVerVision100 series, AVerVision280 & AVerVision300:** 3 Year Limited Parts and Labor

**AVerVision330, All other AVerVision300X series & 500 series:** 5 Year Limited Parts and Labor

**All other AVerMedia Products:** 1 Year Limited Parts and Labor

**All AVerVision Accessories:** 1 Year Parts and Labor





P/N 300AAB5A  
MADE IN TAIWAN